



LEPUS RACK INDUSTRIAL FAST

Gear rack sliding motor in **oil bath** for gate up to **3800 Lbs**
HEAVY DUTY APPLICATIONS FOR INDUSTRIAL USE



- Speed adjustable up to 1^{1/2} Ft/sec
- Ramps of acceleration and deceleration adjustable



Release system through robust aluminium lever and metal lock performance



Internal photo



Pinion Z20 module 4

- Gear motor for intensive use up to 3800 Lbs max weight for heavy duty applications
- Operator equipped with UNIGATE inverter control unit
- Complete lubrication of motor and all mechanical components
- Mechanical twin disk clutch for a sensitive regulation of the motor torque
- Motor-reducer equipped with mechanical limit switch
- Manual Release with key for safety
- Standard encoder for max anti-crushing operations safety

SPECIFICATIONS	LEPUS RACK INDUSTRIAL
Power supply	120 V (±5%) 50/60 Hz
Power	1/3 HP
Absorbed current	3 A
Use rate	90 %
Max gate weight	3800 Lbs
Max gate opening	40 Ft
Type of limit switch	mechanical
Operating temperatures	from -4°F to 131°F
Operator weight	40 Lbs
Protection class	IP 55
Speed	up to 1 ^{1/2} Ft/sec



UNIGATE - I

INVERTER technology

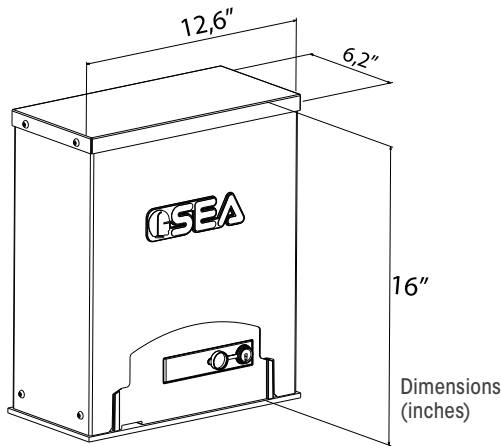


UNIGATE 2I (INVERTER)

- Digital control unit with LCD display
- Adjustable speed through ramps
- Adjustable acceleration/deceleration through ramps
- Continuous motor cycles because it does not heat up
- High strength in slowdown
- Possibility to manage obstacle reverse

Integrated functions on the UNIGATE INVERTER

- 2 relay contacts
- 2 programmable GPIO outputs
- LE card on board for potentiometer
- Relay card on board
- PROBE heater card on board
- Management of two FV inverters for 2 motors or 2 PM modules for 4 motors
- Timer on board with buffer battery and management of 2 time bands
- 2 Ah switching transformer of which about 1,3Ah free for other accessories



Advantages:

- + Duty cycles
- + Torque
- + Speed (adjustable)
- + one model 90V to 265V

ACCESSORIES



Yellow oil in 1 quarter bottle



PZ 13 Pinion Z13 double for module 4



RACKZ Metal rack 3.28 Ft

PACKAGE LEPUS RACK INDUSTRIAL

N.1 LEPUS RACK INDUSTRIAL with UNIGATE control board

N.1 Receiver

N.1 Remote control 433 Mhz

N.1 Foundation plate

N.1 Installation accessories Kit

N.1 Installation instructions and general notice

N.1 Warning signboard

1 pc Pallet 14x8x 18 H inches - 40 Lbs

30 pcs for pallet