



SUPER COMPACT

Hydraulic swing gate operator for
heavy duty gate applications

More power
Stronger hydraulic locks
Leaf length up to **20 Ft** or **2600 Lbs**



Torque-pressure valve



Hydraulic slowdown
adjustment screw



Jack size Compact/Super

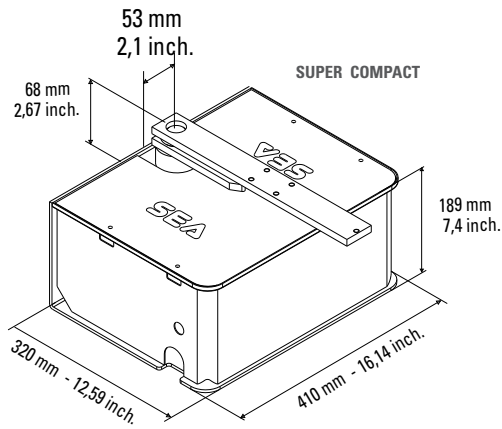
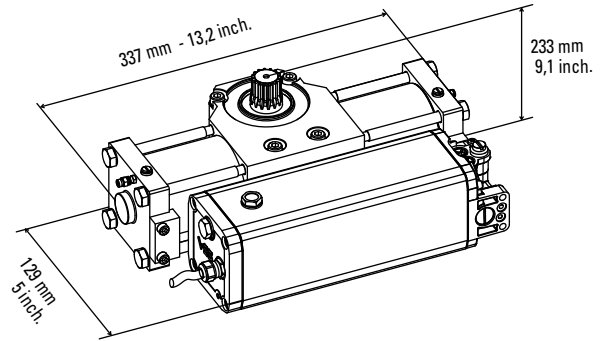
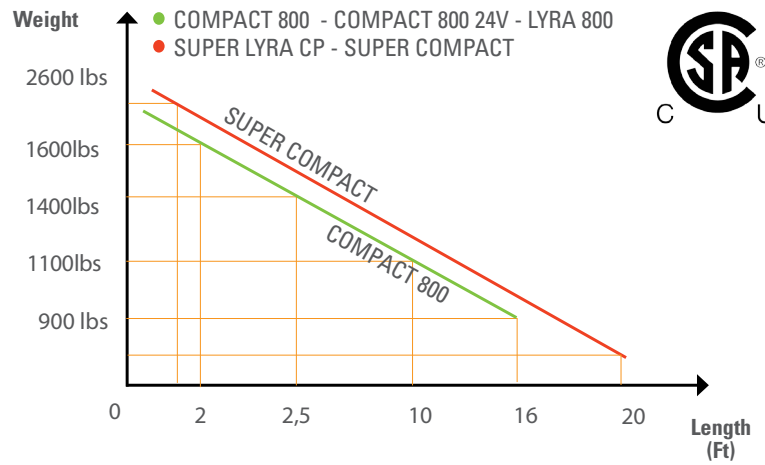


External hydraulic locks
for easy change and
service

- ▶ Compact version with hydraulic pump and jack
- ▶ Release system on leaf with personalized key (basic release)
- ▶ PLUS release with safety lock and activation lever
- ▶ Adjustable hydraulic slowdown for smooth leaf approach
- ▶ Bigger size cylinder and size gear
- ▶ Over 35% more torque than regular COMPACT
- ▶ Over 100% more resistance of mechanical components

- AC VERSION WITH LOCK IN OPENING AND CLOSING
- WITH HYDRAULIC SLOWDOWN FOR A SMOOTH APPROACH OF THE LEAVES IN CLOSING

SPECIFICATIONS	SUPER COMPACT
Power supply	120V or 220V
Power Consumption (W)	310 W
Operating T° range (F°)	-4°F to 131°F*
Opening time 90° (sec)	7 sec
Cycles/hour	60
Duty	Commercial
Protection class	IP67
Max leaf length	20 Ft
Max leaf weight	2.600 Lbs
Max opening angle (degrees)	140°
Maximum force output	750 daNm
Anti-crushing protection	By pass valve/Electronic
Limit switch	-
Slowdown	Hydraulic
Battery backup	STAR 1000



PACKAGE SUPER COMPACT

N.1 COMPACT

Carton box 16,9x9 x 6,6H inches - 30 Lbs

12 pcs for pallet

Carton box of Carrying box
16,9x9x 6,6H inches - 37 Lbs

ACCESSORIES



Green oil
(1 quarter of bottle)



Release PLUS with cylinder
and key for only JACK CP



Kit Probe to manage low
temperature + card LE +
cable 1.8 m - 6 Ft



Electric lock Counter-plate
for horizontal or vertical
mounting with external and
internal cylinder



Mechanical /electronic
stop (2 pcs for 1 motor)
for better slowing down
function



Battery backup
for AC motors 110V



Adjustable
mechanical stops in
opening and closing
only for JACK CP



Self- carrying box in
stainless steel



Treated box
(cataphoresis) with
stainless steel lid



Magnetic
electrolock