



# TAURUS BOX 1000 FAST

Residential electromechanical chain sliding operator for gate up to **1000 lbs**



**FAST opening 1 feet -sec**



**METAL CASE**



User friendly manual release with key



Ball bearing wheels



Mechanical limit switches screw adjustable



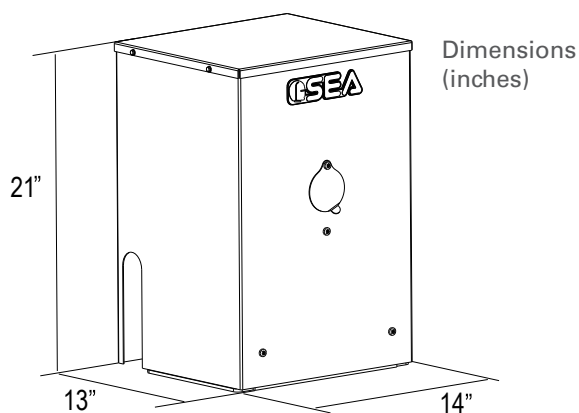
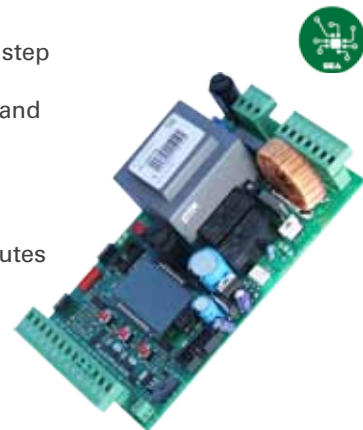
Encoder for obstacle reverse

- Encoder for obstacle reverse
- Receiver included
- Metal cover with cataphoresis treated box
- Slow down in opening/closing
- Ball bearing on the wheels
- Buzzer alarm
- Digital control board GATE 1 DG
- Long lasting yellow zinc metal chassis
- Duty Cycles\*: 40% depending on gate size and installation

| SPECIFICATIONS          | TAURUS BOX           |
|-------------------------|----------------------|
| Power supply            | 120 V (±5%) 50/60 Hz |
| Power                   | 300 W                |
| Absorbed current        | 2,45 A               |
| Thrust force            | from 0 to 35 Nm      |
| Leaf speed (pinion Z20) | Adjustable           |
| Use rate                | 40%                  |
| Max gate weight         | 1000 lbs             |
| Max gate opening        | 20 ft                |
| Type of limit switch    | electromechanical    |
| Operating T°            | from -4°F to 131°F   |
| Operator weight         | 73 lbs               |
| Protection class        | IP 55                |
| Opening time            | 0,75 feet/sec        |

### GATE 1 DG

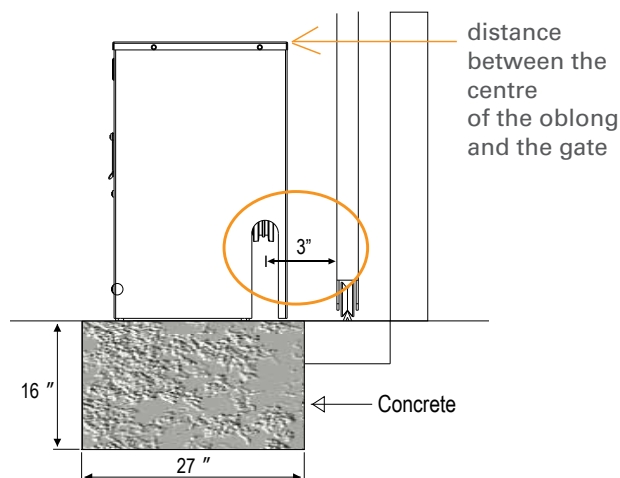
- Management of one 115 Vac motor
- Adjustable slowdown in opening and closing
- Adjustable pedestrian opening
- Led warning lamp
- Connector for radio RF receiver plug-in
- Working time self-learning
- Encoder management
- Simplified programming with buttons and display
- Inversion on obstacle with encoder
- Balanced or standard safety edge management
- Separate torque adjustment for opening and closing
- Programming through JOLLY 3 palm also
- Automatic, security and step by step type 1, step by step type 2, 2 buttons, dead-man logics
- Motor inversion and limit switch (right/left hand mounting)
- Automatic closing adjustment
- Start in pause adjustment
- Prepared for Master/Slave function
- Adjustable courtesy light output up to 4 minutes
- Setting number of cycles for assistance
- Settable photocell inputs
- Extractable terminals
- Photocell self-test
- Management of photocells 10K
- ...and many other functions



### ACCESSORIES



Case in stainless steel



### PACKAGE TAURUS BOX 1000 FAST

N.1 TAURUS BOX BOX 1000 FAST with GATE 1 DG control board

N.20 Feet of chain (type 40)

N.1 Receiver

N.2 Remote controls 433 Mhz

N.1 Installation accessories Kit

N.1 Installation instructions and general notice

N.1 Warning signboard

1 pc Pallet 18x17x H32 inches - 86 LBS

12 pcs for pallet