



VERG L- 24V

24V electromechanical barrier for beams up to **16,4 Ft** for light/medium duty cycles



Electronic control unit positioned on the top of the carter



Electric motor with encoder

- ▶ Fast low voltage automatic barrier
- ▶ Slowdown speed adjustable in opening and closing
- ▶ Electric motor with low consumption
- ▶ Reverse on obstacles with adjustable sensitivity
- ▶ Battery back-up to guarantee the operating also in case of power failure
- ▶ Optional solar panel KIT SUNNY
- ▶ Adjustable mechanical stops
- ▶ Cataphoresis treated and polyester painted steel box for longer life INOX stainless steel box available (on request)
- ▶ Universal right / left hand side

SPECIFICATIONS	VERG L 24V
Power supply	24 Vac
Power Consumption (W)	60 W
Absorbed current	6 A
Opening delay	adjustable
Frequency of use	60 %
Thermal protection	-
Operation temperature	-4°F to + 131°F
Weight	112 lbs
Protection class	IP55
Max. beam length	16,5 ft

USER 1 24V DG

- Management of one 24V motor
- Adjustable slowdown in opening and closing
- Motor speed adjustment
- Adjustable pedestrian opening
- 24V Led warning lamp
- Emergency battery management through optional battery charging card
- Motor inversion and limit switch (right/left hand mounting)
- Simplified programming through buttons and display and through JOLLY 3 palm also
- Separate torque adjustment for opening and closing
- Adjustable amperometric type inversion on obstacle
- Automatic, security and step by step type 1, step by step type 2, 2 buttons, dead-man logics
- Balanced or standard safety edge management
- Adjustable courtesy light output up to 4 minutes
- Photocells self-test
- Extractable terminals
- Automatic closing setting
- Start in pause setting
- Prepared for Master/Slave function
- Low consumption in stand-by
- Setting number of cycles for assistance
- Settable photocell inputs
- Management of photocells 10K
- Connector for RF radio receiver plug-in
- Working times self-learning



	VERG						
Beam model	6,5 ft	8 ft	10 ft	11,5 ft	13 ft	14,5 ft	16,5 ft
LIGHT (linear beam)			Yellow		Blue		Orange
LIGHT - ART (articulated arm)			Blue				

VERG type	
	(inches)
Ø 0.23	Yellow
Ø 0.29	Blue
Ø 0.33	Orange

ACCESSORIES



Kit SUPER SUNNY 85W 85W solar panel + charger + battery 33Ah



STICKER Red sticker for beam (164 feet package)



CSUPLIGHT Counter plate for fork support



STRIP LED Red light IP 67 - 16.5 Ft



LIGHTS-ART Articulated oval beam up to max 11Ft with beam and spring

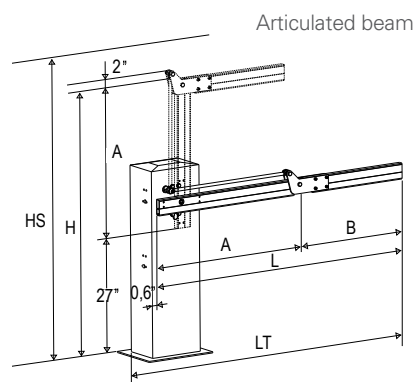
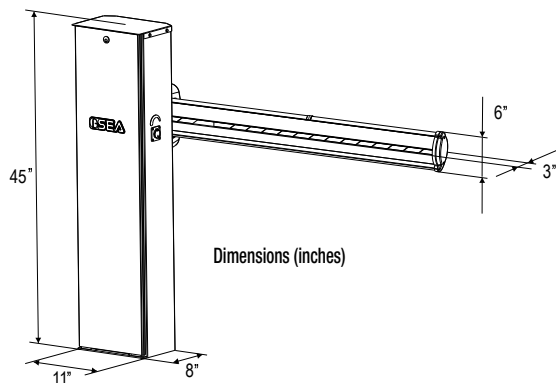


SF Fork support



KIT LIGHT S 3 -TH 10 feet
KIT LIGHT S 4 - TH 13 feet
KIT LIGHT S 5 TH -16,5 feet
Oval beam + balancing spring with blunt free rubber + profile LED (Sticker not included)

Foundation plate included



PACKAGE VERG L 24V

- N.1 pc Operator VERG L 24V
- N.1 pc Control board USER 1 - 24V DG
- N.1 pc Installation instruction and general notice
- N.1 pc Installation accessories kit
- N.1 pc Foundation plate
- N.1 pc Warning board