

# WIRELESS INTERCOMS SYSTEM

ANSWER YOUR VIDEO INTERCOM AND  
OPEN YOUR GATE/DOOR FROM ANYWHERE  
IN THE WORLD WITH YOUR SMARTPHONE.

## SEACOM Wi-Fi video

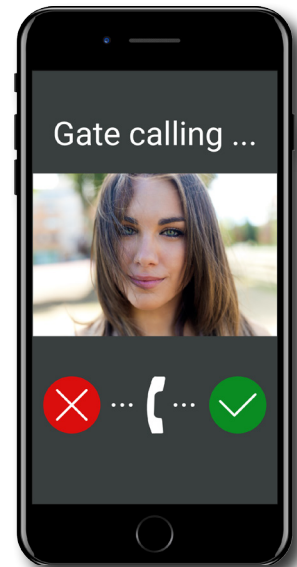
new



Stainless Steel Front  
Plate



APP



Download the APP:



from Apple Store



or Google Play



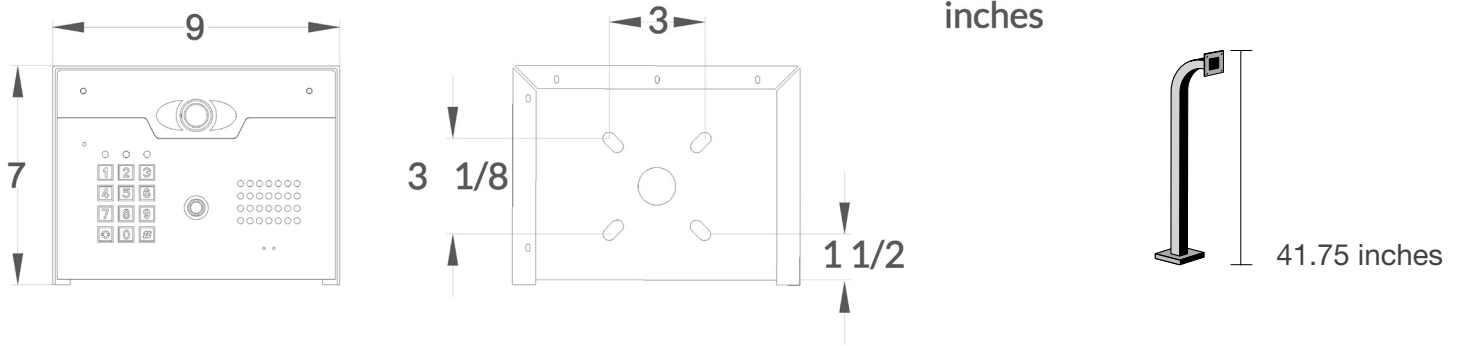
- WiFi Enabled Video Intercom - Use your Existing Internet
- Ideal for Vehicular & Pedestrian Gates as well as Office entrances
- Standard Gooseneck and Surface Mount Option
- Use your phone as entry credential
- Can only be set up by App (*not available to program via SMS*)
- Easy wireless connection to existing home wifi
- Get a video call from your gate/door even when you are away
- No SIM card, no call charges (data charges may apply when phone not connected to WiFi)
- No home phone line needed
- Less susceptible to lightning strikes - no wire in the ground
- Simple set up by mobile phone. Connect to the system video directly through your phone's or tablet's WiFi, enter the pass code for the home hub Wi-Fi and your devices are connected.

# Specs:

- 2 relays - Control up to Two Gates/Doors
- Roll Over Call feature up to 4 Phone Numbers - calls all 4 devices at the same time
- Optional RJ 45 Connection for Cat 5 or Cat 6 Cable
- Long range directional patch antenna at gate (up to 30-150 yards, its depend on router and environmental condiditons)



# Measurements



## General

24Vdc voltage  
Recommended cable @25 feet of 14 gauge  
Solar operable with high capacity panels  
Current on stand-by: 90mA  
Operating current: 330mA  
Peak demand current: 2 Amps

## Camera

Color  
100° viewing angle  
Mono night vision with IR illumination  
640x480 pixels

## Antenna

2.4 Ghz frequency  
14 dB gain  
Range of approximately 20 yards (FURTHER FROM ROUTER THAN A PHONE!)  
Cable: 30 feet RG58, 50 ohm, with SMA male  
60° transmission angle

## Keypad module

3 relays  
max 2 amps  
24Vac/dc load  
Latching  
1000 codes