



TAURUS RACK

Rack sliding motor for gate up to **800 lbs**



Available also model without limit switches



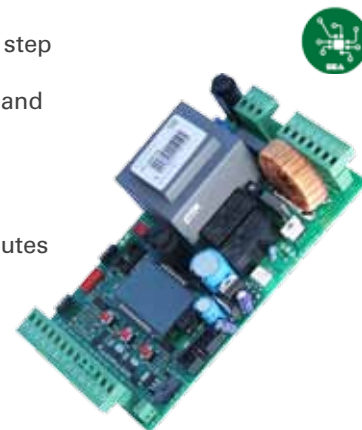
Release system through robust metal lever and metal lock performance

- Die-cast aluminum body with cataphoresis treatment
- Optional micro-switch on release lever
- Electronic anti-crushing clutch
- Mechanical limit switch
- Adjustable slowdown in opening and closing
- Led light in option on all models
- Nice design, compact and easy to install
- Max torque up to 2500 Nm
- 24V version equipped with battery back-up

SMALL FEATURES	TAURUS RACK
Power supply	120 V (±5%) 50/60 Hz
Power	300 W
Absorbed current	2,45 A
Use rate	30%
Max gate weight	800 lbs
Max gate opening	20 ft
Type of limit switch	electromechanical
Operating T°	from -4°F to 131°F
Operator weight	70 lbs
Protection class	IP 55
Opening time	0,5 feet/sec

GATE 1 DG

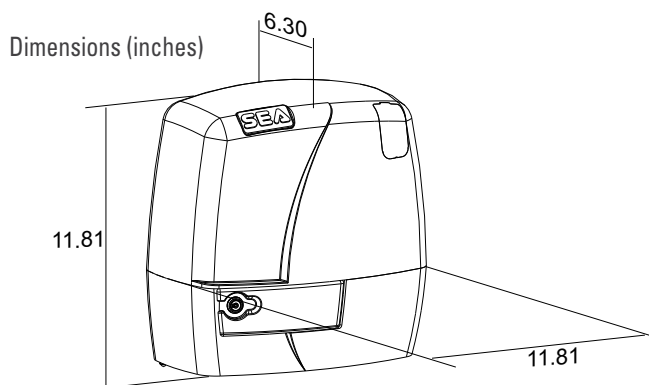
- Management of one 115 Vac motor
- Adjustable slowdown in opening and closing
- Adjustable pedestrian opening
- Led warning lamp
- Connector for radio RF receiver plug-in
- Working time self-learning
- Encoder management
- Simplified programming with buttons and display
- Inversion on obstacle with encoder
- Balanced or standard safety edge management
- Separate torque adjustment for opening and closing
- Programming through JOLLY 3 palm also
- Automatic, security and step by step type 1, step by step type 2, 2 buttons, dead-man logics
- Motor inversion and limit switch (right/left hand mounting)
- Automatic closing adjustment
- Start in pause adjustment
- Prepared for Master/Slave function
- Adjustable courtesy light output up to 4 minutes
- Setting number of cycles for assistance
- Settable photocell inputs
- Extractable terminals
- Photocell self-test
- Management of photocells 10K
- ...and many other functions



ACCESSORIES



Adjustable bracket for chain magnetic limit



PACKAGE TAURUS RACK

N.1 TAURUS RACK with control board
N.1 Receiver
N.1 Remote control 433 Mhz
N.1 Foundation plate
N.1 Installation accessories Kit
N.1 Installation instructions and general notice
N.1 Warning signboard
1 pc Pallet 14x9x H14 inches - 28 LBS
40 pcs for pallet