



FIELD OIL 24V DC

Electromechanical in-ground operator in oil bath for residential swing gate max leaf length up to **11 feet** or **1300 lbs** max. weight



Adjustable mechanical stop in opening and closing



Plus release with lever and security lock

- ▶ Oil bath lubrication of the gears for longer life
- ▶ OIL version with machined gear crown out of processed steel
- ▶ 24V low voltage for max. operation safety
- ▶ Adjustable slowdown in opening and closing through 24V USER control board
- ▶ Universal type (right/ left)
- ▶ Easy manual release with key and lock
- ▶ Emergency batteries and solar panel KIT SUNNY in option
- ▶ Duty cycles*: 40 per hour

SPECIFICATIONS	FIELD 24V
Power supply	120V/24V dc
Power Consumption (W)	130 W
Operating T° range (F°)	-4°F to 131°F*
Cycles/hour	60
Duty	residential
Protection class	IP67
Max leaf length	11 feet
Max leaf weight	1300 lbs
Max opening angle (degrees)	110°
Maximum force output	30 daNm
Anti-crushing protection	electronic
Limit switch	mechanical
Slowdown	electronic
Battery backup	with batteries






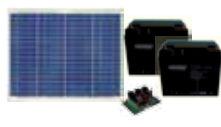





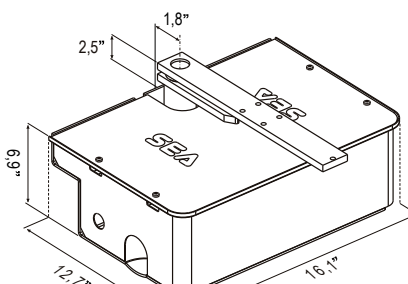
USER 2 24 DG

- Management of two 24V motors
- Adjustable slowdown in opening and closing
- Separate motors speed adjustment for each leaf
- Version with rectifying jumper on board
- Adjustable pedestrian opening
- 24V Led warning lamp
- Electro-lock management
- Separate torque adjustment for each leaf and for opening and closing
- Leaf delay adjustment differentiated between opening and closing
- Dead-man, automatic, security, step by step type1, step by step type 2, half-automatic1, half-automatic 2
- Optional external module for traffic light management
- Emergency battery management through optional battery charging card
- Working times self-learning
- Connector for RF radio receiver plug-in
- Prepared for encoder management
- Simplified programming through buttons and display
- Programming through JOLLY 3 palm also
- Photocells self-test
- Adjustable ammeter type inversion on obstacle
- Balanced or standard safety edge management
- Extractable terminals
- Adjustable courtesy light output up to 4 minutes
- Setting number of cycles for assistance
- Settable photocells inputs
- Low consumption in stand-by
- Push over
- Management of photocells 10K



...and many other functions

ACCESSORIES

								
G-LOCK Magnetic Lock	BAT7 Batteries with box (7AH)	LOCK KIT 12V Electric lock Counter-plate for horizontal or vertical mounting external and internal cylinder	LOCKINTP PLUS Manual release PLUS with lock (1 pc)	ESUN Q Battery charger 800 mA with solar panel admin	Kit SUPER SUNNY 85W 85W solar panel + charger + battery 33Ah	AP180 Kit for opening up to 180° for FIELD (max leaf opening 2 m)	BOXF Cataphoresis treated box with adjustable opening/closing stops	
								Dimensions (inches)
OIL Yellow oil in 1 quart bottle	Electronic limit switches IP rated (1 pc)	BOXFI Stainless steel box with stops and long life in corrosion areas (beaches)						

PACKAGE FIELD
N.1 pc Operator FIELD
14,96x10,62x6,69H inches 33 Lbs
45 pcs for pallet