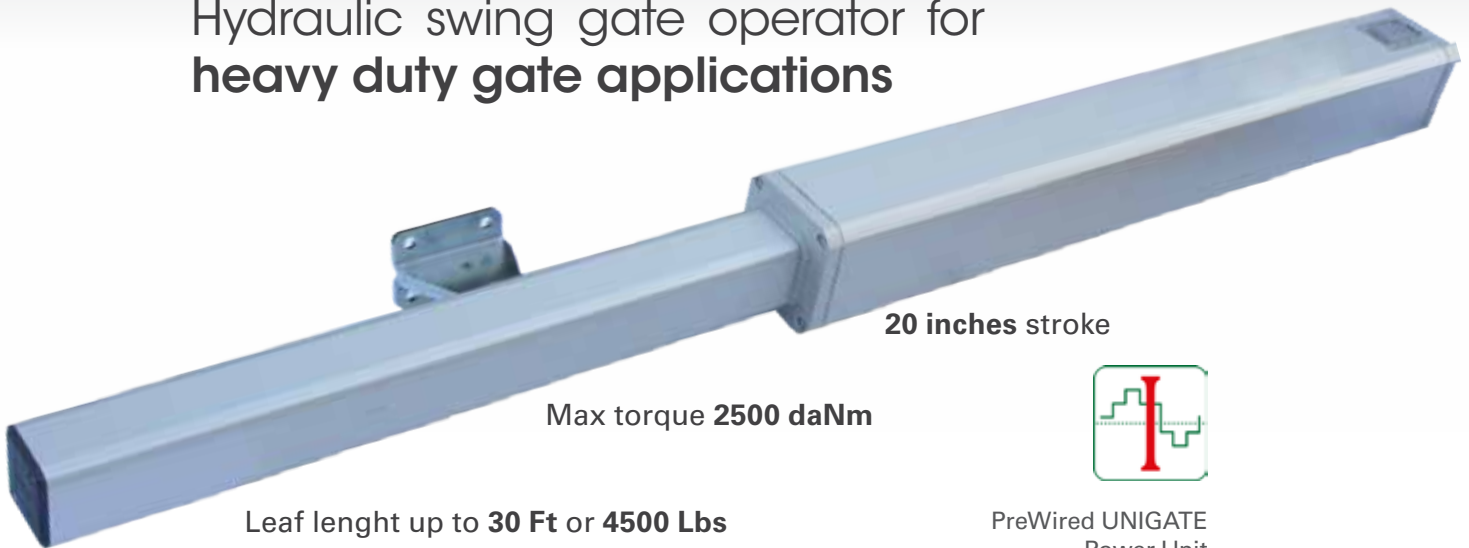




SUPER FULL TANK SP 4500

Hydraulic swing gate operator for heavy duty gate applications



20 inches stroke

Max torque 2500 daNm

Leaf length up to 30 Ft or 4500 Lbs



PreWired UNIGATE Power Unit (single leaf)



Single pump cabinet for tight space applications



Round joint for stroke adjustment
Dimensions: M16



Hydraulic Power Unit (double leaf)



Hydraulic fast connections

- ▶ Oil lubrication of all mechanical components
- ▶ Anti crushing guaranteed through by-pass valves for max. thrust adjustment
- ▶ Standard, oscillating aluminium back fixing fork
- ▶ Hydraulic distributor made of machine aluminium bar
- ▶ 1 inches rod diameter
- ▶ On request stainless steel rod
- ▶ Ideal for applications in windy sites, heavy duty gate and high security places
- ▶ All-aluminium structure with high-resistance anodising treatment

- AC VERSION WITH LOCK IN OPENING AND CLOSING
- WITH HYDRAULIC SLOWDOWN FOR A SMOOTH APPROACH OF THE LEAVES IN CLOSING

| SPECIFICATIONS | SUPER FULL TANK SP 4500 |
|-----------------------------|-------------------------|
| Power supply | 120V or 220V |
| Power Consumption (W) | 310 W |
| Operating T° range (F°) | -4° F to 131° F |
| Opening time 90° (sec) | -- |
| Cycles/hour | 70 |
| Duty | Commercial - Industrial |
| Protection class | IP55 |
| Max leaf length | 30 Ft |
| Max leaf weight | 4.500 Lbs |
| Max opening angle (degrees) | 90°/120° |
| Maximum force output | 2500 daNm |
| Anti-crushing protection | By pass/Electronic |
| Limit switch | -- |
| Slowdown | Hydraulic |
| Battery backup | STAR 1000 |

UNIGATE - I

INVERTER technology



UNIGATE 2I (INVERTER)

- Digital control unit with LCD display
- Adjustable speed
- Adjustable acceleration/deceleration
- Continuous motor cycles
- High strength in slowdown
- Possibility to manage obstacle reverse

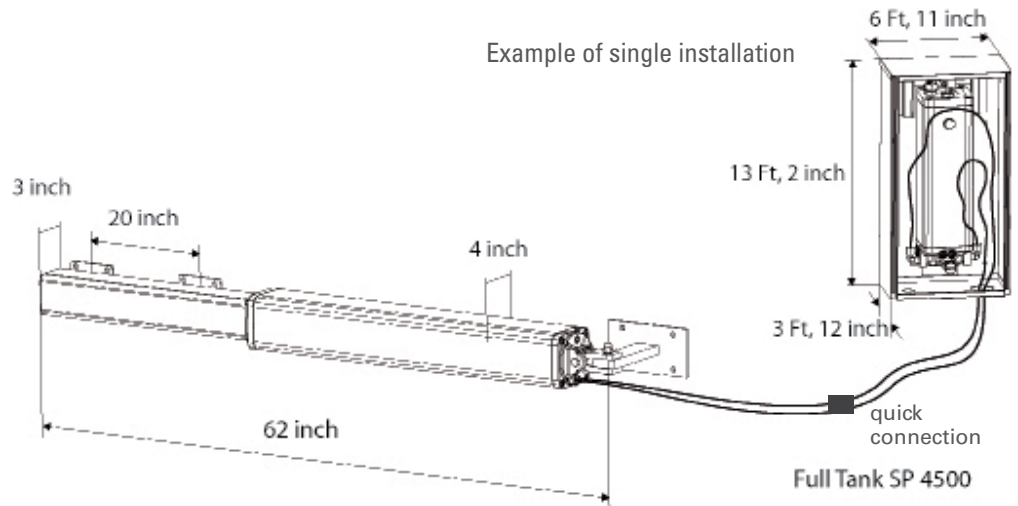
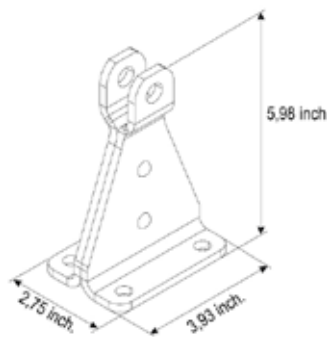
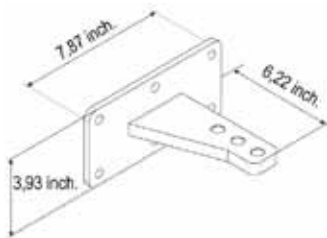
Integrated functions on the UNIGATE INVERTER

- 2 relay contacts
- 2 programmable GPIO outputs
- LE card on board for potentiometer
- Relay card on board
- PROBE heater card on board
- Management of two FV inverters for 2 motors or 2 PM modules for 4 motors
- Timer on board with buffer battery and management of 2 time bands
- 2 Ah switching transformer of which about 1.3 Ah free for other accessories



Advantages:

- + Duty cycles
- + Torque
- + Speed (adjustable)
- + one model 90V to 265V



ACCESSORIES



Magnetic Lock



Green oil
(1 quarter of bottle)



Battery back up with
fan cooling systems