



JOINT HYDRO

Hydraulic swing gate **operator**

for leaf up to **20 Ft** or max **1200 Lbs** weight



**Post Mounting
or
Pad Mounting**



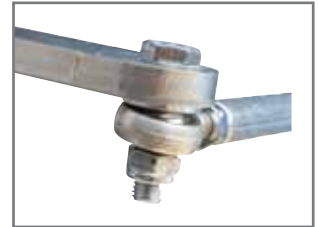
User friendly manual release with locked door



Control board inside IP55 box



Absolute Encoder



Double bearing joint on arm for perfect adjustments

- ▶ Suitable for installation on large columns where the distance is less 18 inches
- ▶ Quiet, powerful and reliable hydraulic operator
- ▶ Speed of 8 sec at 90°
- ▶ Slowdown during opening and closing
- ▶ Absolute Encoder (instead of limit switches)
- ▶ Powder Coated Steel Housing
- ▶ Configuration Master/Slave
- ▶ Integrated control unit UNIGATE Inverter on MASTER versions

SPECIFICATIONS	JOINT
Power supply	120V-60Hz
Power Consumption (W)	300 W
Operating T° range (F°)	-4°F to 131 F°
Opening time 90° (sec)	8-12 sec
Cycles/hour	40
Duty	commercial
Protection class	IP44
Max leaf length	20 Ft
Max leaf weight	1.200 Lbs
Max opening angle (degrees)	100°
Anti-crushing protection	by pass valve
Slowdown	electronic

UNIGATE - I

INVERTER technology



UNIGATE 2I (INVERTER)

- Digital control unit with LCD display
- Adjustable speed
- Adjustable acceleration/deceleration
- Continuous motor cycles
- High strength in slowdown
- Possibility to manage obstacle reverse

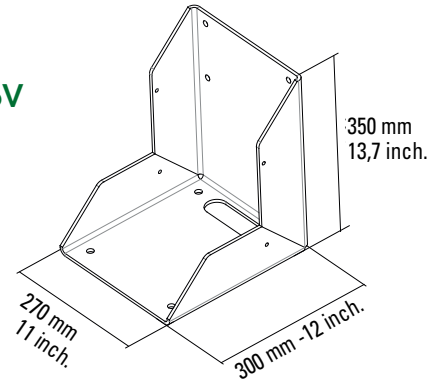
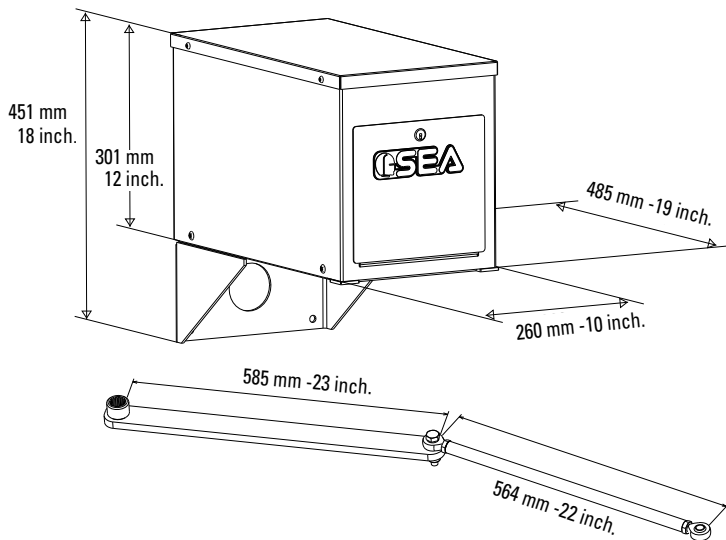
Integrated functions on the UNIGATE INVERTER

- 2 relay contacts
- 2 programmable GPIO outputs
- LE card on board for potentiometer
- Relay card on board
- PROBE heater card on board
- Management of two FV inverters for 2 motors or 2 PM modules for 4 motors
- Timer on board with buffer battery and management of 2 time bands
- 2 Ah switching transformer of which about 1.3 Ah free for other accessories



Advantages:

- + Duty cycles
- + Torque
- + Speed (adjustable)
- + one model 90V to 265V



PACKAGE JOINT HYDRO

N.1 JOINT

1 pc Carton box 19,6x18x14H inches - 40 Lbs

10 pcs for pallet

ACCESSORIES



Kit Probe to manage low temperature + card LE + cable 5.9 Ft



Green oil
1 quarter of bottle



"C" shaped plate for pad mounting



Electric lock Counter-plate for horizontal or vertical mounting external and internal cylinder



Magnetic Lock