



# LYRA, JACK 1600

**Hydraulic** in-ground operator for residential swing gate with max. leaf length **up to 13 Ft** or **1600 Lbs** max. weight



Jack 800



Lyra



Adjustable torque with  
by pass valves



Cataphoresis treated and  
polyester painted box  
(included) for Lyra pump



Metal lock

- ▶ Noiseless and hydraulic reliability
- ▶ Version with separate in-ground hydraulic pump unit and hydraulic jack to be connected with copper pipes
- ▶ The functioning of the operator through oil and the inner lubrication of all mechanical components grant a long life
- ▶ Release with personalized key on hydraulic pump unit LYRA in case of electric power failure
- ▶ Version with adjustable hydraulic slow down for a soft approach of the leaf
- ▶ Cataphoresis treated steel foundation box included for Lyra pump

SPECIFICATIONS	LYRA, JACK 1600
Power supply	120 Vac 50/60 Hz
Power Consumption (W)	220 W
Operating T° range (F°)	-4°F to 131°F*
Opening 90° (sec)	7 sec
Cycles/hour	45
Duty	residential
Protection class	IP67
Max leaf length	13 feet
Max leaf weight	1600 lbs
Max opening angle (degrees)	110°/140°/180°
Maximum force output	56 daNm
Anti-crushing protection	electronic
Limit switch	mechanical
Slowdown	electronic
Battery backup	with batteries

# UNIGATE - I

## *INVERTER technology*



### UNIGATE 2I (INVERTER)

- Digital control unit with LCD display
- Adjustable speed
- Adjustable acceleration/deceleration
- Continuous motor cycles
- High strength in slowdown
- Possibility to manage obstacle reverse

#### Integrated functions on the UNIGATE INVERTER

- 2 relay contacts
- 2 programmable GPIO outputs
- LE card on board for potentiometer
- Relay card on board
- PROBE heater card on board
- Management of two FV inverters for 2 motors or 2 PM modules for 4 motors
- Timer on board with buffer battery and management of 2 time bands
- 2 Ah switching transformer of which about 1.3 Ah free for other accessories



## Advantages:

- + Duty cycles
- + Torque
- + Speed (adjustable)
- + one model 90V to 265V

PACKAGE LYRA
N.1 pc Operator Lyra
13x16x8H inches - 22 lbs
50 pcs for pallet

PACKAGE JACK
N.1 pc Operator Jack
8x16x5H inches - 28 lbs
50 pcs for pallet

### ACCESSORIES



G-LOCK  
Magnetic Lock

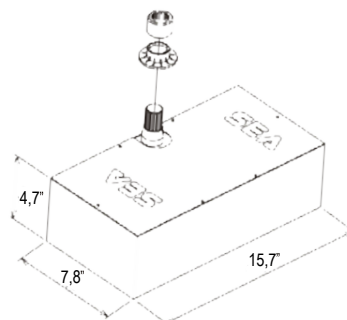
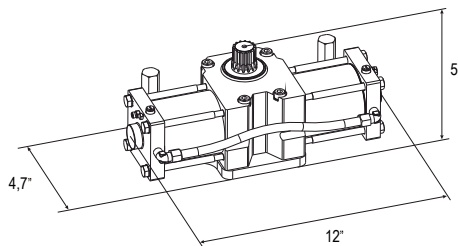
STAR 400/800  
Battery back up  
with fan cooling  
systems

LOCK KIT 12V  
Electric lock Counter-plate for horizontal or vertical  
mounting external and internal cylinder

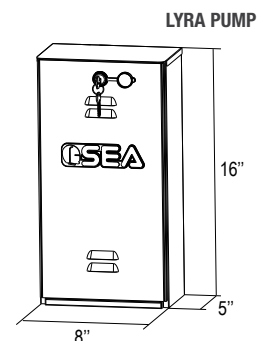
OIL  
Green oil in  
1 quart bottle

COP5  
Coper pipe  
Ø 8 (3,2 feet)

LOOP2F  
Flexible pipes  
Ø 8 (6,5feet)



Dimensions (inches)



LYRA PUMP



SEA USA Inc.  
10850 N.W. 21st Street - Unit 160 - 33172 Miami - Florida (USA)  
Phone: +1-305.594.1151 - Fax: +1-305.594.7325

[www.sea-usa.com](http://www.sea-usa.com)