



ORION BOX 24V DC FAST

Residential electromechanical chain sliding operator for gate up to **900 lbs**



FAST opening 1 1/2 feet -sec



METAL CASE



User friendly manual release with key



Ball bearing wheels

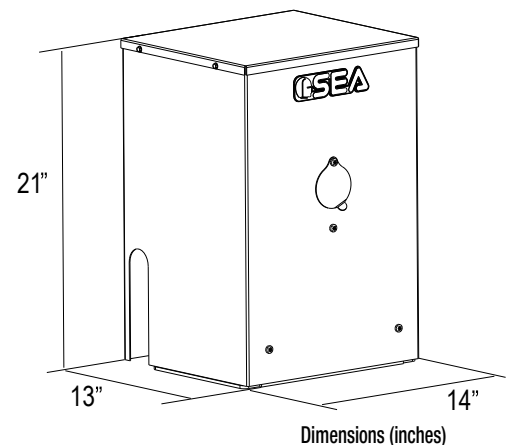


Mechanical limit switches



Battery backup

- It is very smooth and exceptionally quiet
- Slow down in opening/closing with USER 1 - 24V DG
- Reverse on obstruction
- Metal cover with cataphoresis treated box
- It is a unique compact motorized gear box
- Receiver included
- Buzzer alarm
- In option solar panel (KIT SUNNY)
- Battery back-up 7 Ah included
- Duty Cycles*: 40% depending on gate size and installation



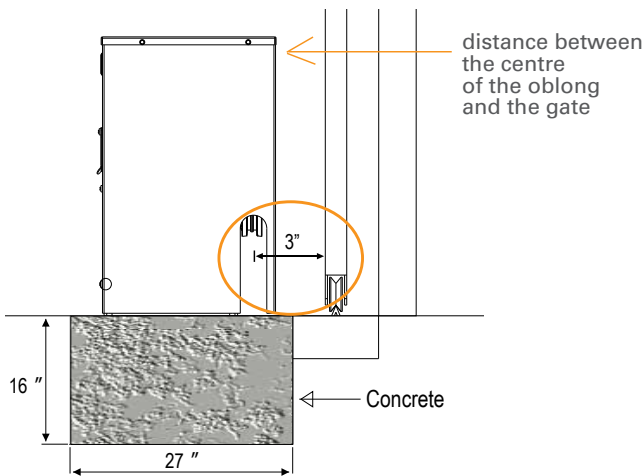
NATURE FRIENDLY
kit Sunny compatible



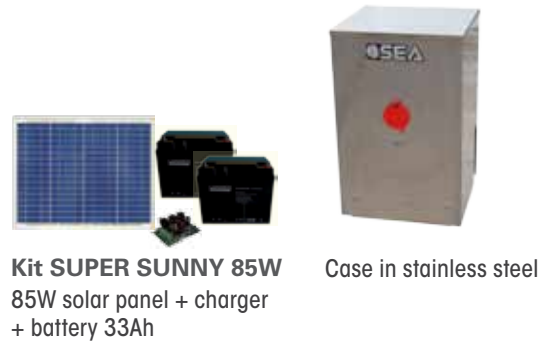
| SPECIFICATIONS | ORION BOX 24V FAST |
|-------------------------|-----------------------|
| Power supply | 120 V (±5%) 50/60 Hz |
| Power | 160 W |
| Absorbed current | 3,5 A |
| Thrust force | from 0 to 40 Nm |
| Leaf speed (pinion Z20) | Adjustable |
| Use rate | 40% |
| Max gate weight | 900 lbs |
| Max gate opening | 25 ft |
| Type of limit switch | electromechanical |
| Operating temperatures | from -4°F to 131°F |
| Operator weight | 73 lbs |
| Protection class | IP 55 |
| Opening time | up to 1 ½ feet/sec |

■ USER 1 24V DG Maxi

- Management of one 24V motor
- Adjustable slowdown in opening and closing
- Motor speed adjustment
- Adjustable pedestrian opening
- 24V Led warning lamp
- Connector for RF radio receiver plug-in
- Working times self-learning
- Simplified programming through buttons and display
- Programming through JOLLY 3 palm also
- Adjustable amperometric type inversion on obstacle
- Photocells self-test
- Balanced or standard safety edge management
- Extractable terminals
- Separate torque adjustment for opening and closing
- Slowdown speed adjustment
- Emergency battery management through optional battery charging card
- Automatic, security and step by step type 1, step by step type 2, 2 buttons, dead-man logics
- Motor inversion and limit switch (right/left hand mounting)
- Automatic closing setting
- Start in pause setting
- Prepared for Master/Slave function
- Low consumption in standby
- Adjustable courtesy light output up to 4 minutes
- Setting number of cycles for assistance
- Settable photocell inputs
- Management of photocells 10K
- ... and many other functions



■ ACCESSORIES



PACKAGE ORION BOX 24V FAST

| | |
|-----------------------------------------------|-------------------------------------------------|
| N.1 | ORION BOX with control board USER 1 24V DG Maxi |
| N.20 | Feet of chain (type 40) |
| N.1 | Receiver |
| N.2 | Remote controls 433 Mhz |
| N.1 | Installation accessories Kit |
| N.1 | Installation instructions and general notice |
| N.1 | Warning signboard |
| 1 pc Pallet 18x17x H32 inches - 86 LBS | |
| 12 pcs for pallet | |