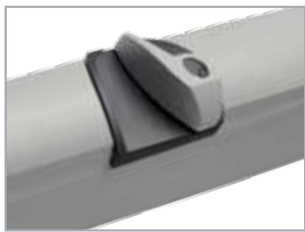




SURF 350 24V H

Electromechanical swing gate operator for leaf length up to **12 feet** or max **900 lbs** weight



Metal manual release



Mechanical/electronic stops



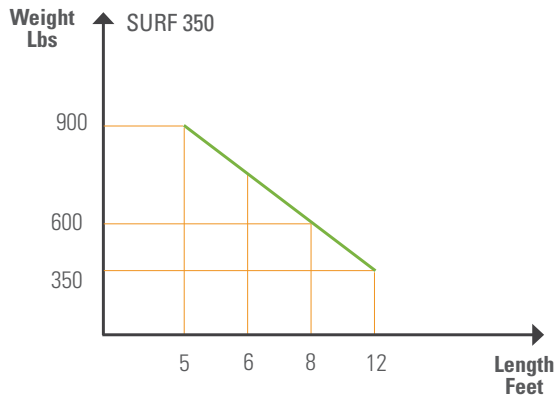
Metal gears with bearings

- ▶ Solid: electromechanical reductor made in die-cast shell in aluminium with polyester coating for out-door use
- ▶ Easy connections for wires with a separate housing on posterior cover
- ▶ Version equipped with mechanical limit switches IP 67 and metal release lock
- ▶ Adjustable back fixing with holes
- ▶ Emergency batteries and recharge solar panel
- ▶ Operator with small width for installations also in reduced spaces
- ▶ Reversing version available
- ▶ Strong endless screw supported by bearings for max resistance

SPECIFICATIONS	SURF 350 24V
Power supply	120V/24V dc
Power Consumption (W)	60 W
Operating T° range (F°)	-4°F to 131°F*
Cycles/hour	40
Duty	residential
Protection class	IP44
Max leaf length	12 feet
Max leaf weight	900 lbs
Max opening angle (degrees)	90°/120°
Maximum force output	200 daNm
Anti-crushing protection	electronic
Limit switch	mechanical/electronic
Slowdown	electronic
Battery backup	with batteries

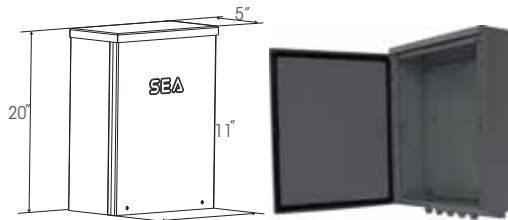
USER 2 24 DG

- Management of two 24V motors
- Adjustable slowdown in opening and closing
- Separate motors speed adjustment for each leaf
- Version with rectifying jumper on board
- Adjustable pedestrian opening
- 24V Led warning lamp
- Electro-lock management
- Separate torque adjustment for each leaf and for opening and closing
- Leaf delay adjustment differentiated between opening and closing
- Dead-man, automatic, security, step by step type 1, step by step type 2, half-automatic 1, half-automatic 2
- Optional external module for traffic light management
- Emergency battery management through optional battery charging card
- Working times self-learning
- Connector for RF radio receiver plug-in
- Prepared for encoder management
- Simplified programming through buttons and display
- Programming through JOLLY 3 palm also
- Photocells self-test
- Adjustable ammeter type inversion on obstacle
- Balanced or standard safety edge management
- Extractable terminals
- Adjustable courtesy light output up to 4 minutes
- Setting number of cycles for assistance
- Settable photocells inputs
- Low consumption in standby-by
- Push over
- Management of photocells 10K

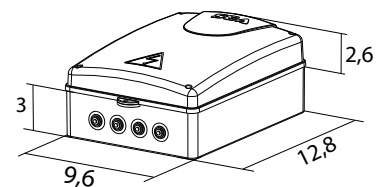


...and many other functions

Pre Wired Metal Box

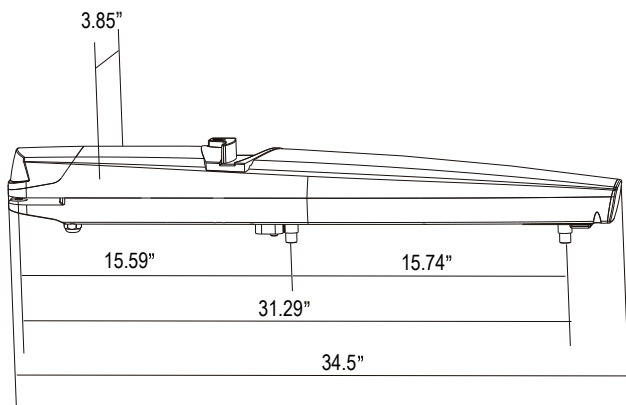


ABS box



ACCESSORIES

Reflex 10k 180° Reflecting photocell with mirror	G-LOCK Magnetic Lock	Sea Com Video Wi Fi Wireless Video Intercom System	Kit SUPER SUNNY 85W solar panel, charger, battery 33Ah	ESUN Q Battery charger 800 mA with solar panel admin	BAT7 Batteries with box (7AH)	BRASU Adjustable back fixing bracket no welding (2 pcs)



Dimensions (inches)

PACKAGE SURF 350 24V
N.1 SURF 350 24V
1 pc Carton box 35x4x1.5H inches - 33 Lbs
36 pcs for pallet