



SURF 450 24V H

Electromechanical swing gate operator for leaf length up to **15 feet** or max **1100 lbs** weight



Metal manual release



Mechanical/electronic stops



Strong metal gear drive supported by bearings for max resistance



Metal gears with bearings

- ▶ Solid: electromechanical reductor made in die-cast shell in aluminium with polyester coating for out-door use
- ▶ Easy connections for wires with a separate housing on posterior cover
- ▶ Version equipped with mechanical limit switches IP 67 and metal release lock
- ▶ Adjustable back fixing with holes
- ▶ Emergency batteries and recharge solar panel
- ▶ Operator with small width for installations also in reduced spaces
- ▶ All gears in solid metal
- ▶ Strong screw supported by ball bearings for maximum strength.

SPECIFICATIONS	SURF 450 24V
Power supply	120V/24V dc
Power Consumption (W)	60 W
Operating T° range (F°)	-4°F to 131°F
Cycles/hour	50
Duty	residential
Protection class	IP44
Max leaf length	15 feet
Max leaf weight	1100 lbs
Max opening angle (degrees)	90°/120°
Maximum force output	200 daNm
Anti-crushing protection	electronic
Limit switch	mechanical/electronic
Slowdown	electronic
Battery backup	with batteries

USER 2 24 DG Management of two 24V motors

- Adjustable slowdown in opening and closing
- Separate motors speed adjustment for each leaf
- Version with rectifying jumper on board
- Adjustable pedestrian opening
- 24V Led warning lamp
- Electro-lock management
- Separate torque adjustment for each leaf and for opening and closing
- Leaf delay adjustment differentiated between opening and closing
- Dead-man, automatic, security, step by step type1, step by step type 2, half-automatic1, half-automatic 2
- Optional external module for traffic light management
- Emergency battery management through optional battery charging card
- Working times self-learning
- Connector for RF radio receiver plug-in
- Encoder management
- Simplified programming through buttons and display
- Programming through JOLLY 3 palm also
- Photocells autotest
- Adjustable reverse on obstacle
- Balanced or standard safety edge management
- Adjustable courtesy light output up to 4 minutes
- Setting number of cycles for assistance
- Push over
- Management of photocells 10K

...and many other functions

ACCESSORIES



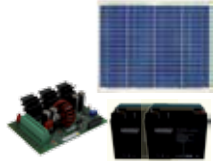
Reflex 10k 180°
Reflecting photocell
with mirror



G-LOCK
Magnetic Lock



Sea Com Video Wi Fi
Wireless Video
Intercom System



Kit SUPER SUNNY
85W solar panel,
charger, battery 33Ah



ESUN Q Battery
charger 800 mA
with solar panel
admin for BLD



BAT7 Batteries
with box (7AH)
for BLD



BRASU Adjustable
back fixing bracket
no welding (2 pcs)

Available with Control
Unit in different
configurations



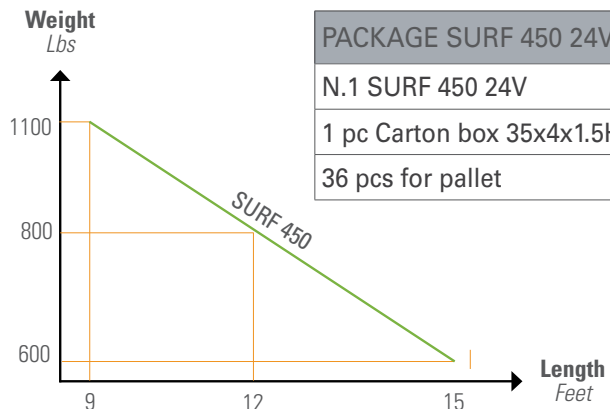
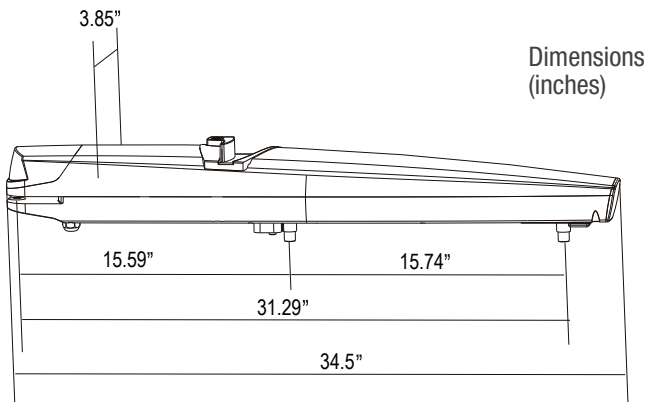
BLD box
3x9,6x12,8 inches



BLM - BBU
battery back-up ready 7Ah



Large metal box PreWired
20x11x5 inches
on request



PACKAGE SURF 450 24V

N.1 SURF 450 24V

1 pc Carton box 35x4x1.5H inches - 33 Lbs

36 pcs for pallet