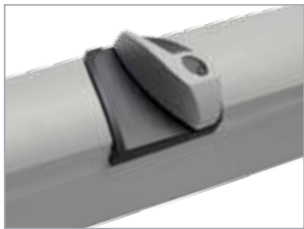




# SURF 450 24V H

Electromechanical swing gate operator for leaf length up to **15 feet (9 feet FAST version)** or max weight **1100 lbs (700 lbs FAST version)**



Metal manual release



Mechanical/electronic stops



Strong metal gear drive supported by bearings for max resistance



Metal gears with bearings

- ▶ Solid: electromechanical reductor made in die-cast shell in aluminium with polyester coating for out-door use
- ▶ Easy connections for wires with a separate housing on posterior cover
- ▶ Version equipped with mechanical limit switches IP 67 and metal release lock
- ▶ Adjustable back fixing with holes
- ▶ Emergency batteries and recharge solar panel
- ▶ Operator with small width for installations also in reduced spaces
- ▶ All gears in solid metal
- ▶ Strong screw supported by ball bearings for maximum strength.

SPECIFICATIONS	SURF 450 24V	SURF 450 24V FAST
Power supply	120V/24V dc	120V/24V dc
Power Consumption (W)	60 W	120 W
Operating T° range (F°)	-4°F to 131°F	-4°F to 131°F
Cycles/hour	50	60
Duty	residential	residential
Protection class	IP44	IP44
Max leaf length	15 feet	9 feet
Max leaf weight	1100 lbs	700 lbs
Max opening angle	90°/120°	90°/120°
Maximum force output	2000 N	2000 N
Anti-crushing protection	electronic	electronic
Limit switch	mechanical/electronic	mechanical/electronic
Slowdown	electronic	electronic
Opening time 90°	20 sec.	13 sec.

■ UNIGATE 24V



- Display BINGO with 2x8 characters
- Advantages:
  - High strength in slowdown
  - More Duty cycles
  - High torque management even in slowdown
  - Possibility to set Ramps of Accelerations/Decelerations

**Advantages:**  
*More Cycles/Hour*  
*N.C. inputs protected by 8K2 resistance*  
*Amperometric management for inversion in case of obstacle*  
*Low temperature in intensive cycle*  
*High torque during slowing down*



■ ACCESSORIES



Reflex 10k 180°  
Reflecting photocell  
with mirror



G-LOCK  
Magnetic Lock



Sea Com Video Wi Fi  
Wireless Video  
Intercom System



Kit SUPER SUNNY  
85W solar panel,  
charger, battery 33Ah



ESUN Q Battery  
charger 800 mA  
with solar panel  
admin for BLD



BAT7 Batteries  
with box (7AH)  
for BLD



BRASU Adjustable  
back fixing bracket  
no welding (2 pcs)

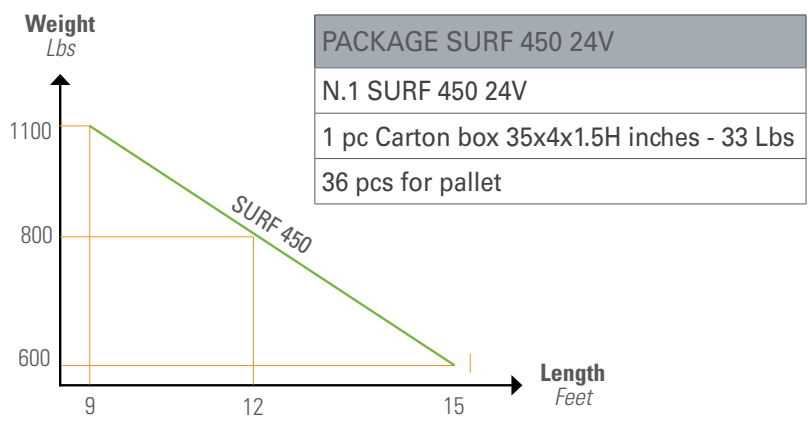
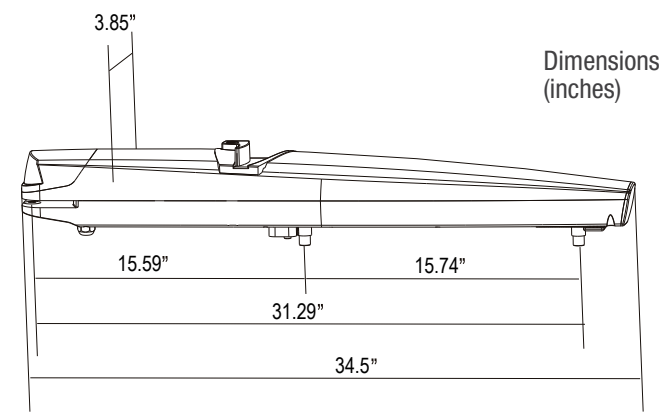
Available with Control Unit in different configurations



BLM - BBU  
battery back-up ready 7Ah



UNIGATE 24V PreWired  
dimensions 15"x16"x6"(w)



SEA USA Inc.  
 10850 N.W. 21st Street - Unit 160 - 33172 Miami - Florida (USA)  
 Phone: +1-305.594.1151 - Fax: +1-305.594.7325  
[www.sea-usa.com](http://www.sea-usa.com)