



SATURN 24V OIL FAST

Gearmotor for condominium sliding gates



Release with aluminium lever and lock



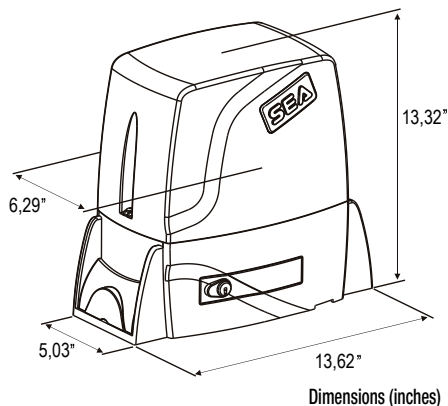
The SATURN OIL versions are with oil lubrication of the gears for max duration



Mechanical twin-disc clutch oil bath

- Solid, die-cast aluminum body
- High quality mechanical limit switches
- Micro-switch for stop function on release lever in case of assistance
- Optional emergency batteries for operation in case of power failure
- Gears housed in a single piece cast aluminum block
- Emergency batteries and solar panel KIT SUNNY in option
- Electronic clutch as an extra anti-crush safety device
- Reversing system in case of obstruction
- Release system with aluminium lever protected by lock

FEATURES	SATURN OIL 24V
Power Supply (V)	115V - 24V secondary
Power Consumption (W)	1 HP equivalent
Operating T° range (F°)	- 4°F to 131°F
Opening time	0,75 Ft /sec
Cycles/hour	60 %
Duty*	commercial
Max gate weight (pound)	3300
Max Gate length (Ft)	40
Anti-crushing protection	amperometric elect. clutch
Operator weight	31 lbs



ACCESSORIES



Battery kit with box



Yellow oil



Pinion Z 20 mod4



ESUN Q Battery charger 800 mA with solar panel admin



Kit SUNNY 20W solar panel + ESUN Q+ battery 12Ah



Microswitch on release lever for stop function (for SATURN G1 and E)

USER 1 24V DG

- Management of one 24V motor
- Adjustable slowdown in opening and closing
- Motor speed adjustment
- Adjustable pedestrian opening
- 24V Led warning lamp
- Emergency battery management through optional battery charging card
- Motor inversion and limit switch (right/left hand mounting)
- Simplified programming through buttons and display and through JOLLY 3 palm also
- Separate torque adjustment for opening and closing
- Adjustable amperometric type inversion on obstacle
- Automatic, security and step by step type 1, step by step type 2, 2 buttons, dead-man logics
- Balanced or standard safety edge management
- Adjustable courtesy light output up to 4 minutes
- Photocells self-test
- Extractable terminals
- Automatic closing setting
- Start in pause setting
- Prepared for Master/Slave function
- Low consumption in stand-by
- Setting number of cycles for assistance
- Settable photocell inputs
- Management of photocells 10K
- Connector for RF radio receiver plug-in
- Working times self-learning



PACKAGE SATURN 24V OIL RACK

N.1 pc Operator SATURN 24V OIL RACK with 24V control board USER 1 24V DG

N.1pc Installation accessories Kit

N.1pc Installation instructions and general notice

N.1pc Foundation plate

N.1pc Warning signboard