



Saturn 24V OIL FAST

Gearmotor for condominium sliding gates



FAST opening 3/4 Ft/sec



Release with aluminium lever and lock



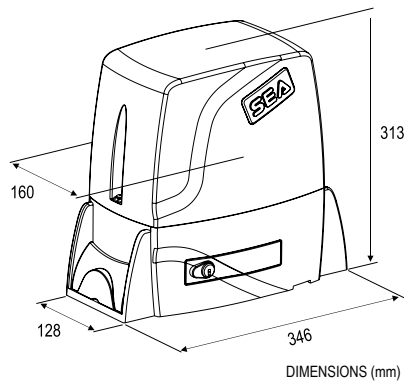
The SATURN OIL versions are with oil lubrication of the gears for max duration



Mechanical twin-disc clutch oil bath

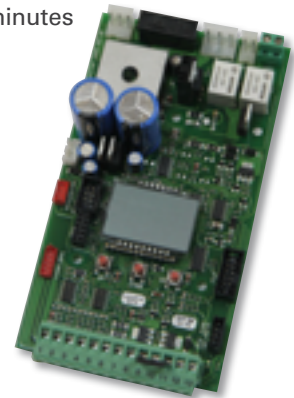
- Solid, die-cast aluminum body
- High quality mechanical limit switches
- Micro-switch for stop function on release lever in case of assistance
- Optional emergency batteries for operation in case of power failure
- Gears housed in a single piece cast aluminum block
- Emergency batteries and solar panel KIT SUNNY in option
- Electronic clutch as an extra anti-crush safety device
- Reversing system in case of obstruction
- Release system with aluminium lever protected by lock

FEATURES	SATURN OIL 24V
Power Supply (V)	115V - 24V secondary
Power Consumption (W)	1 HP equivalent
Operating T° range (F°)	-4°F to 131°F
Opening time	0,75 Ft /sec
Cycles/hour	60 %
Duty*	commercial
Max gate weight (pound)	3300
Max Gate length (Ft)	40
Anti-crushing protection	amperometric elect. clutch
Operator weight	31 approx.



USER 1 24V DG

- Management of one 24V motor
- Adjustable slowdown in opening and closing
- Motor speed adjustment
- Adjustable pedestrian opening
- 24V Led warning lamp
- Emergency battery management through optional battery charging card
- Motor inversion and limit switch (right/left hand mounting)
- Simplified programming through buttons and display and through JOLLY 3 palm also
- Separate torque adjustment for opening and closing
- Adjustable amperometric type inversion on obstacle
- Automatic, security and step by step type 1, step by step type 2, 2 buttons, dead-man logics
- Balanced or standard safety edge management
- Adjustable courtesy light output up to 4 minutes
- Photocells self-test
- Extractable terminals
- Automatic closing setting
- Start in pause setting
- Prepared for Master/Slave function
- Low consumption in stand-by
- Setting number of cycles for assistance
- Settable photocell inputs
- Management of photocells 10K
- Connector for RF radio receiver plug-in
- Working times self-learning



PACKAGE SATURN 24V OIL RACK

N.1 pc Operator SATURN 24V OIL RACK with 24V control board USER 1 24V DG

N.1pc Installation accessories Kit

N.1pc Installation instructions and general notice

N.1pc Foundation plate

N.1pc Warning signboard

ACCESSORIES



Battery kit with box



Yellow oil



Pinion Z 20 mod4



Pinion Z13



Cover INOX stainless cover for external release to combine with SECSAT



ESUN Q
Battery charger
800 mA with solar
panel admin



Kit SUNNY
20W solar panel +
ESUN Q+ battery
12Ah



SECSAT
Box and external
release with
cable



Microswitch on
release lever for
stop function
(for SATURN G1
and E)



ENC Kit Encoder
for SATURN E



DIN cylinder with
variable coding



Adjustable
foundation
plate with bolts/
screws



Hydraulic
device for uphill
opening gates
max 5°slope -
1500 kg